

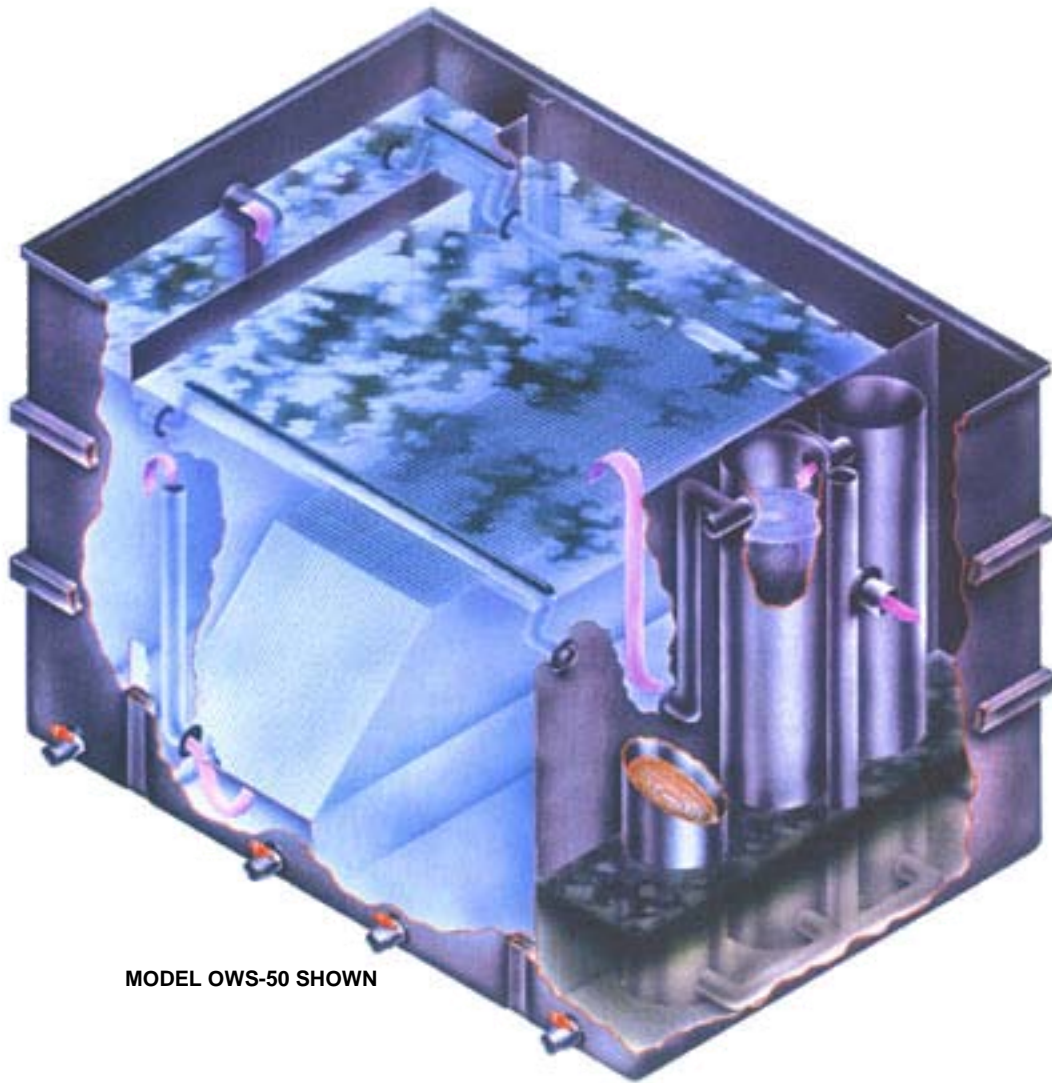


Florida Water Blast, Inc.

12995 Automobile Blvd. Clearwater, FL 33762 - Wk. # 1-800-966-0614

Advanced Pre-Treatment Sewer Discharge Systems.....

This Sewer Discharge Systems is designed to collect contaminated source water, which typically contains petroleum hydrocarbons, heavy metals solid and cleaning fluids. The collected water is processed through the system and contaminants are removed utilizing over 7 technologies prior to discharge to sewer.



MODEL OWS-50 SHOWN

ADVANTAGES

- State of the art oil/water separator.
- Totally Non-Ferrous - no rust or corrosion.
- UV Protected to meet National Plumbing Code for outdoor use.
- Fully Automatic, Easy to Use, Versatile.
- Free Water Analysis for the life of your system.
- Components are color impregnated and UV protected to eliminate maintenance painting.
- Low Maintenance.
- Components are color coded impregnated to eliminate maintenance painting.
- Over 1,200 sq. ft. of polypropylene inclined tube coalescing area on the OWS-20 and over 2,300 sq. ft. of polypropylene inclined tube coalescing area on the OWS-50.
- Over 3,000 coalescing matrixes on the OWS-20 and over 9,000 coalescing matrixes on the OWS- 50 for advanced oil removal.
- Pre-treatment technology is designed to avoid pollution problems by preventing contaminated water discharge..

APPLICATIONS

The **OWS Models** were designed for Sewer Discharge Applications such as...

- Military Bases
- Truck & Tractor Repair Shops
- Fork Lift Repair Shops
- Bilge Pump Out
- Municipal and State D.O.T.'s
- Engine Repair Shops
- Machinery Companies
- Storm Water Runoff
- City/ County Transportation
- Marine Yards
- Bus Companies
- Rental Car Companies

OPERATION

The OWS SYSTEM collects contaminated source water which typically contains... petroleum hydrocarbons (oil, grease, and fuels), heavy metals, solids, cleaning fluids. The collected water is processed through the system, and contaminant's are removed prior to discharge.

The OWS SYSTEM consists of the following technologies and processes...

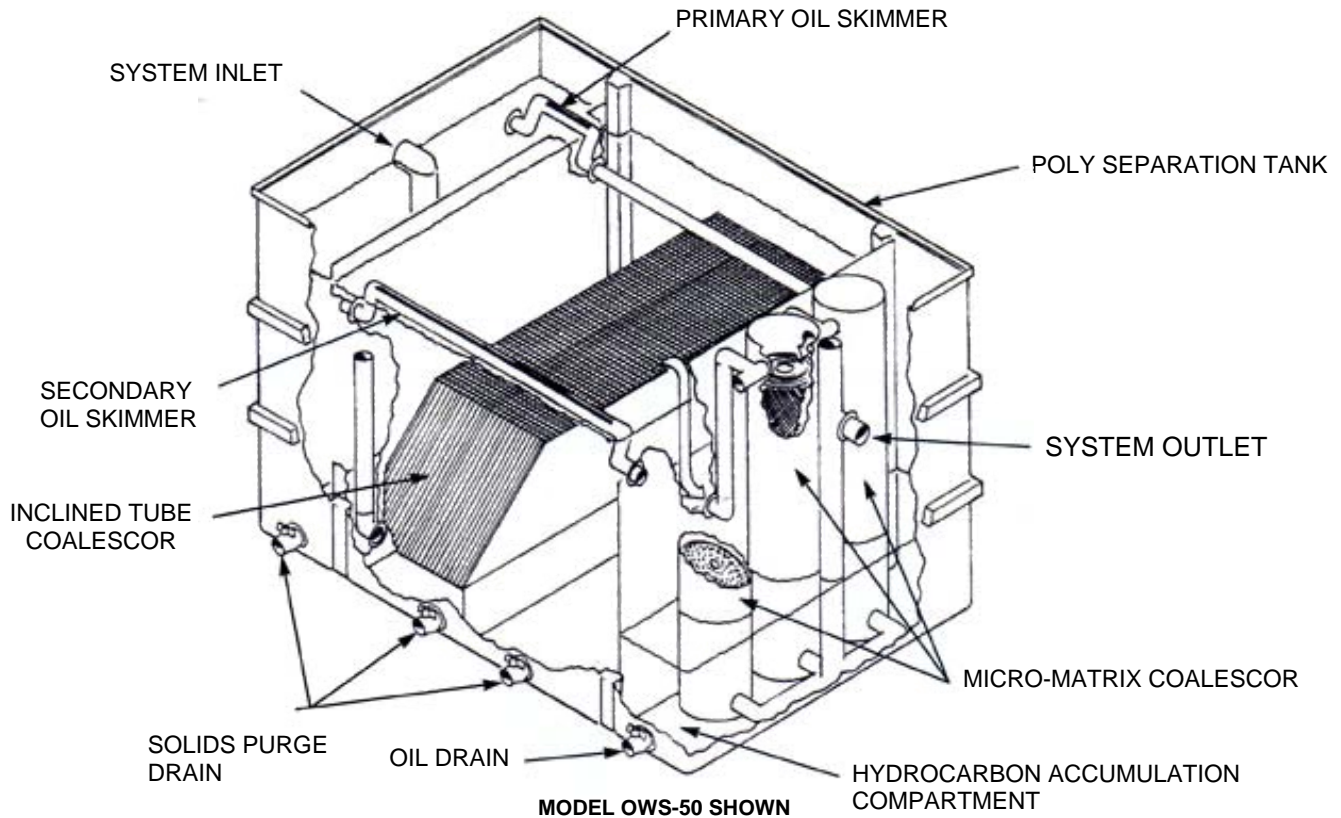
- 1 - **SOLIDS SEPARATION** (Settles large solids)
- 2 - **GRAVITY OIL SEPARATION** (Floats heavy oils)
- 3 - **INCLINE TUBE COALESCING SEPARATION** (Settles solids, coalesces and floats oils)
- 4 - **AUTO OIL SKIMMER** (Auto. removes free oils & grease and captures them in a storage container)
- 5 - **HYDROCARBON ACCUMULATION** (Collects petroleum hydrocarbons)
- 6 - **MICRO-MATRIX-ULTRA COALESCOR** (Polishing coalescor for low levels of oil)
- 7 - **OPTIONAL- TURBOHYDROZONE** (H.D. ozone generation system, destroys organics)
- 8 - **OPTIONAL- COALESCING CENTRIFIGUAL CLARIFIER** (Pretreatment of heavy solids)
- 9 - **OPTIONAL-BAG FILTER SYSTEM** (Settles heavy metals)
- 10 - **OPTIONAL - Ph CONTROLLER SYSTEM** (Automatically adjust pH)
- 11 - **OPTIONAL - OIL MONITOR** (Auto. measures oil content before discharge)



Florida Water Blast, Inc.

12995 Automobile Blvd. Clearwater, FL 33762 - Wk. # 1-800-966-0614

MODEL OWS



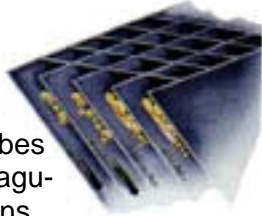
SPECIFICATIONS

MODELS OWS-20		MODELS OWS-50	
DIMENSIONS: OWS-20	3'W X4'L X 4'H	DIMENSIONS: OWS-50	5'W X6'L X 4'H
FLOW RATE	1-20 GPM	FLOW RATE	1-50 GPM
DRY WEIGHT (APPROX.)	425 LBS.	DRY WEIGHT (APPROX.)	1,100 LBS.
VALVES	PVC BALL	VALVES	PVC BALL
PIPING	UV PROTECTED PVC	PIPING	UV PROTECTED PVC
CAPACITY	250 GAL. POLY TANK	CAPACITY	850 GAL. POLY TANK
HYDRO ACCUMULATOR	7 GAL. POLY	HYDRO ACCUMULATOR	7 GAL. POLY
INCLINED TUBE COALESCOR	1,200 SQ. FT. POLY GRID	INCLINED TUBE COALESCOR	2,300 SQ. FT. POLY GRID
AUTO OIL SKIMMER	PVC ADJUSTABLE	AUTO OIL SKIMMER	PVC ADJUSTABLE
MICRO-MATRIX COALESCOR	3,000 INCLINED MATRIXES	MICRO-MATRIX COALESCOR	9,000 INCLINED MATRIXES

OUTSTANDING FEATURES

Incline Polypropylene Tube Coalescor

These 1/4" square tubes placed on a 60 degree angle provide the maximum coalescing efficiency. The compact system permits the design to exceed Stokes Law for coalescing, also the self cleaning feature alleviates a maintenance area. These mini tubes not only coalesce the oil, they coagulate or settle solids over 50 microns. The OWS-20 Model contains over 1,200 sq.ft. of coalescing area and the OWS-50 Models contains over 2,300 sq.ft. of coalescing area.



Processing Tank

This coalescing separator is a one piece molded steel reinforced polyethylene tank. The integral interior compartments are full penetration thermo welded for superior vessel strength, corrosion & chemical resistance.

Manual Backflush

The OWS Models are equipped with a manual back-flush system for the Micro-Matrix Coalescor to reduce maintenance.

Auto Oil Skimming

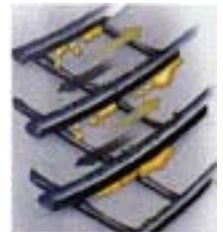
This unit automatically removes excess water and stores oils and fuels with no moving or replacement parts



Hydrocarbon Accumulator - This unit automatically removes & stores oils & fuels with no moving or replacement parts.

Micro-Matrix - Ultra Coalescor

The innovative self-cleaning coalescing matrix utilizes a tight matrix of 60 degree poly grids designed to attract low micron oil particles. The OWS-20 Model contains over 3,000 coalescing matrixes, and the OWS-50 contains over 9,000 coalescing matrixes for advanced oil removal..



OPTIONAL FEATURES

REFER TO FLORIDA WATER BLAST WEB SITE CATALOG FOR A COMPLETE LISTING



Model - CCC+
Coalescing Centrifugal Clarifier. A flash flocking pre-treatment system for heavy solids removal. Designed for heavy duty oil and solids pre-treatment.

Gravity Bag Filter

A low cost pre-filter to screen out solids before they enter the system, therefore reducing maintenance.

