

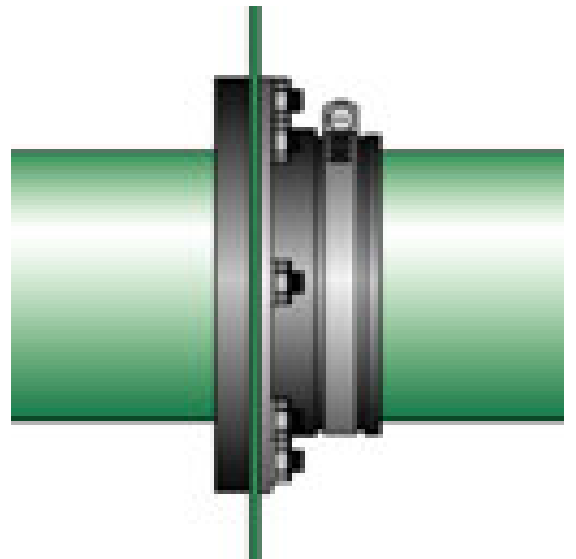
FLEXIBLE ENTRY BOOT

BOLT ON FLEXIBLE ENTRY BOOT WITH CLAMP

P/N	SIZE	TYPE
FEB6-150	1 1/2"	SINGLE ENTRY BOOT
FEB6-200	2"	SINGLE ENTRY BOOT
FEB6-300	3"	SINGLE ENTRY BOOT
FEB7-400	4"	SINGLE ENTRY BOOT
FEB8-600	6"	SINGLE ENTRY BOOT



NEOPRENE BOOT
GALVANIZED STEEL RING
STAINLESS STEEL STUDS,
NUTS AND CLAMP.
TEMPLATE PROVIDED



1 1/2", 2" AND 3" REQUIRE 4 1/4" HOLE SAW
4" REQUIRES 5 1/2" HOLE SAW
6" REQUIRES 7" HOLE SAW