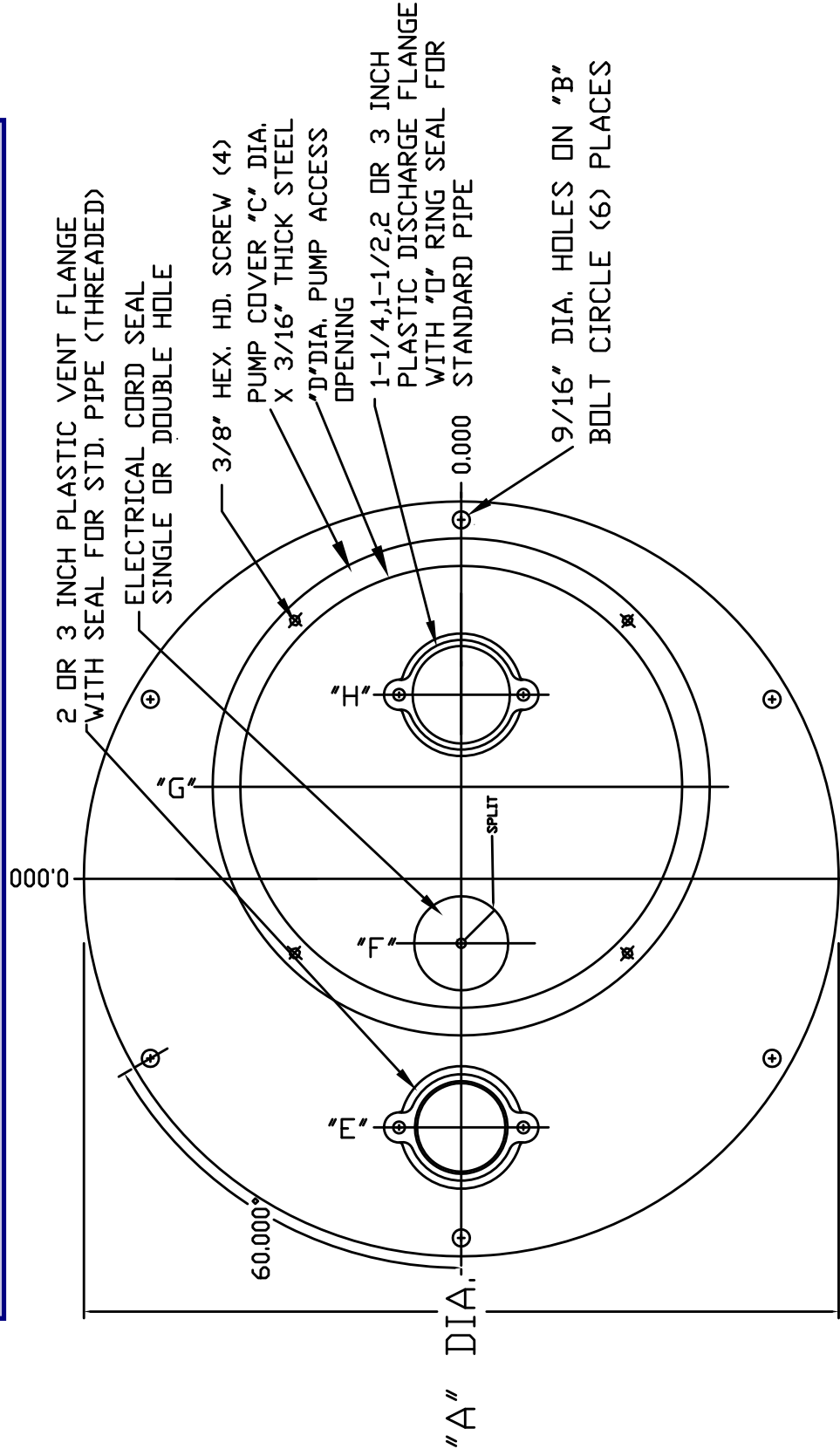
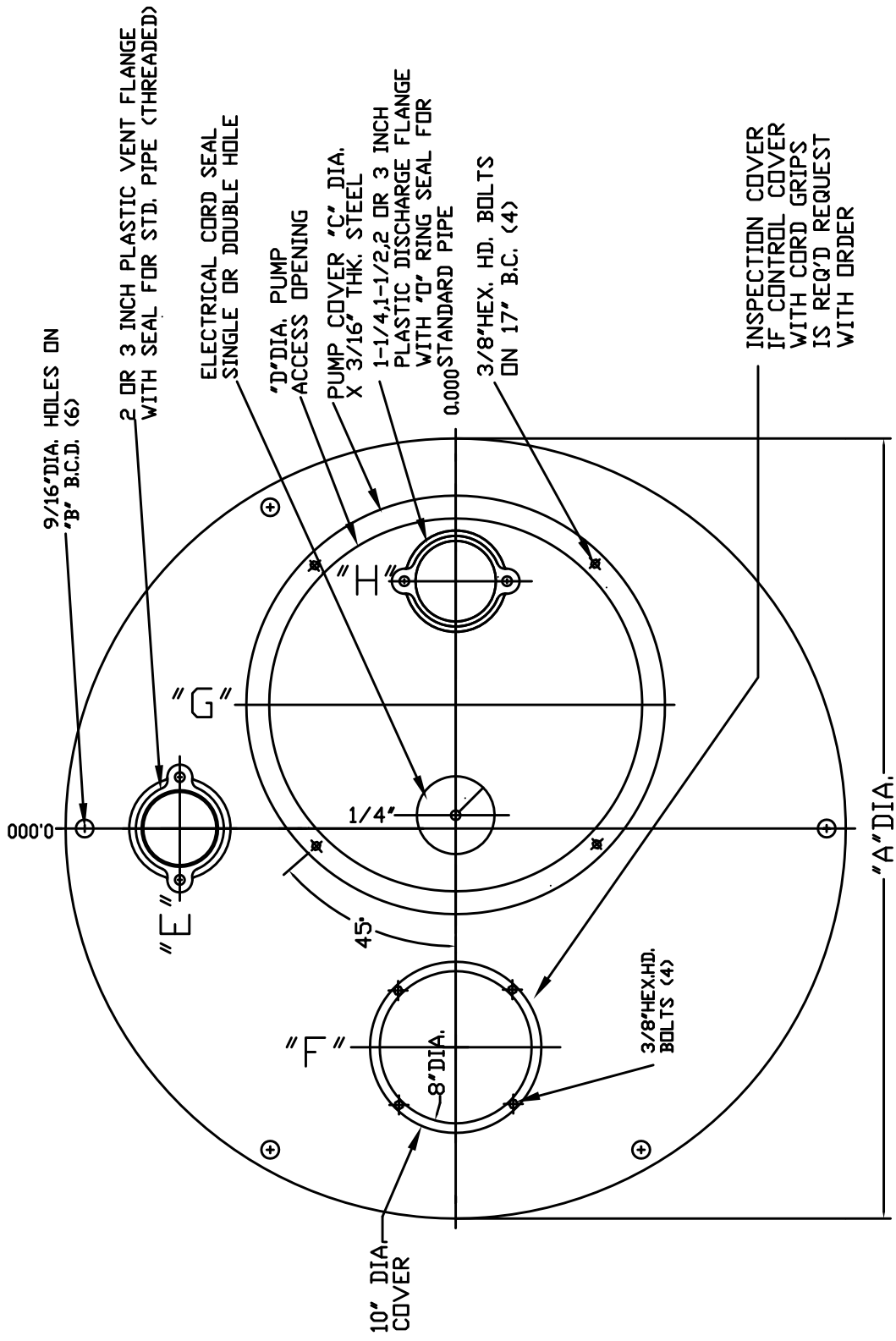


Simplex Metal Covers



P/N.	"A" DIA.	THICKNESS	"B" B.C.D.	DIM "C"	DIM "D"	DIM "E"	DIM "F"	DIM "G"	DIM "H"
JC24S	28.00"	7 GAGE (.180)	26 1/2"	16"	14"	10"	2"	3"	5 1/2"
JC30S	34.00"	1/4" (.25)	32 1/2"	18"	16"	12 1/8"	2"	3"	5 1/2"
JC36S	40.00"	1/4" (.25)	38 1/2"	22"	20"	14 1/4"	1 1/2"	3"	8 1/2"
JC42S	46.00"	1/4" (.25)	44 1/2"	22"	20"	14 1/4"	1 1/2"	3"	8 1/2"

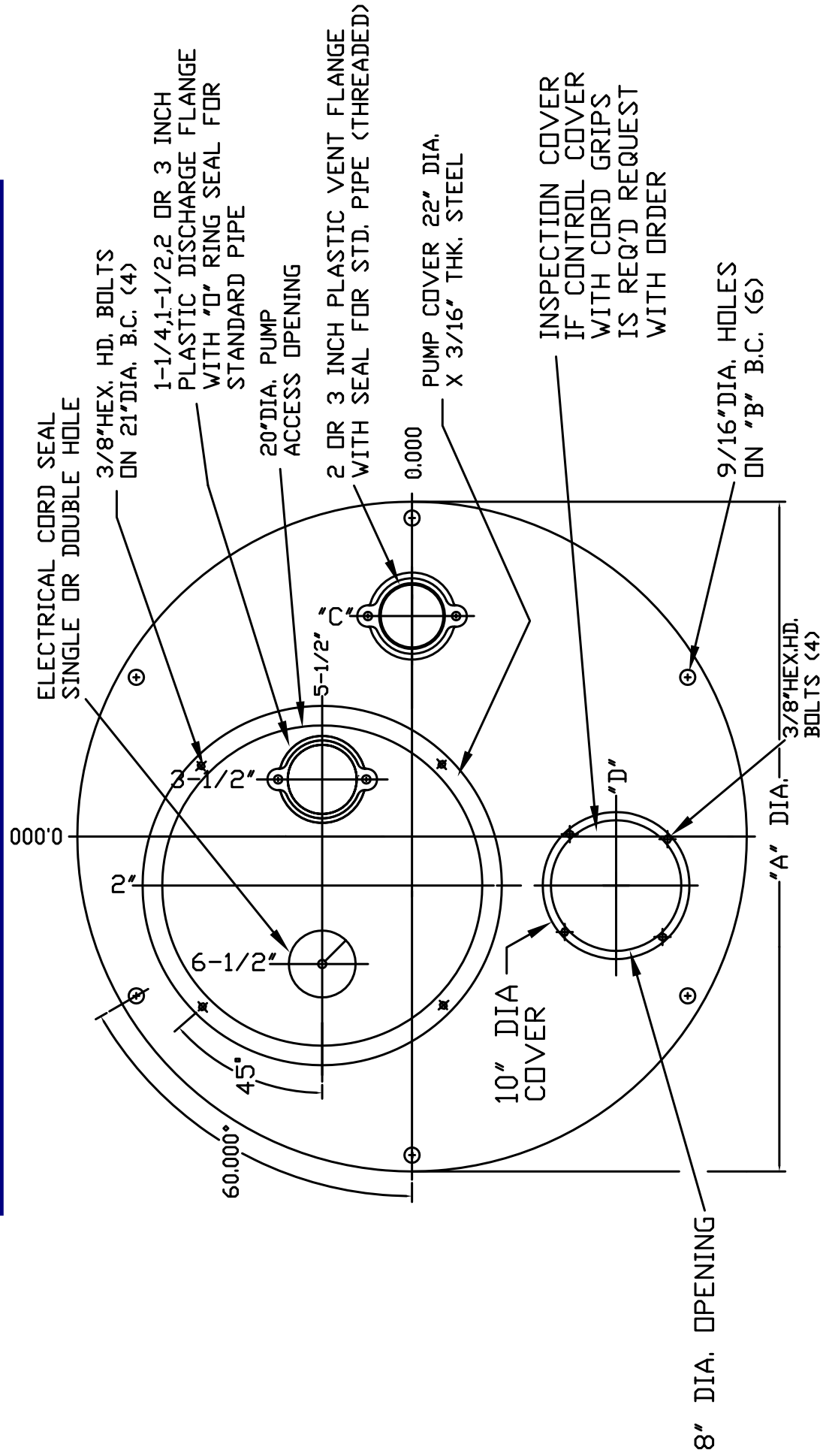
Simplex Metal Covers



Add to the part number
 IB - Blank Inspection Cover
 CC - Control Cover

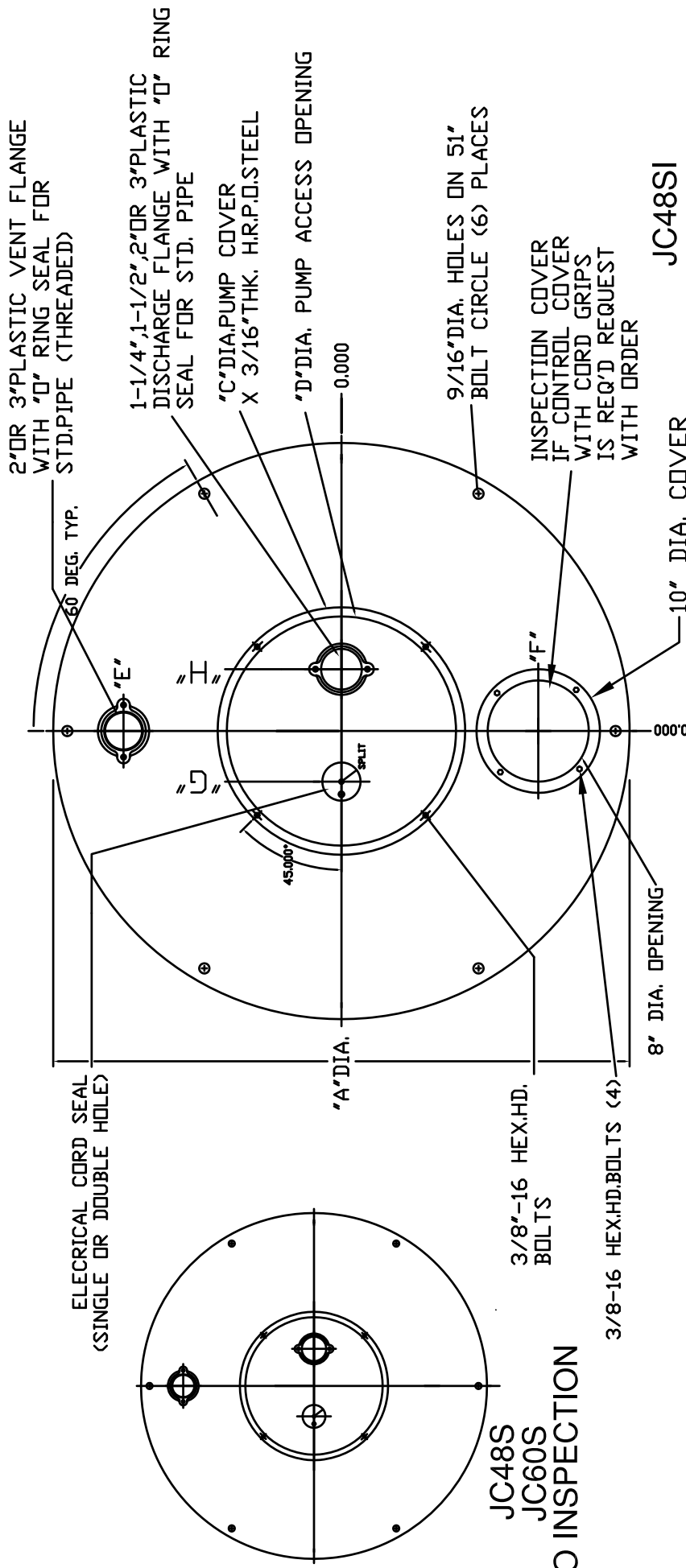
P/N.	"A" DIA.	THICKNESS	"B" B.C.D.	DIM "C"	DIM "D"	DIM "E"	DIM "F"	DIM "G"	DIM "H"
JC24SI	28.00"	7 GAGE (.180)	26 1/2"	16"	14"	10"	7 3/4"	5 1/2"	8"
JC30SI	34.00"	1/4" (.25)	32 1/2"	18"	16"	12 1/8"	9 1/2"	5 1/4"	7 3/4"

Simplex Metal Covers



P/N.	"A" DIA.	THICKNESS	"B" B.C.D.	DIM "C"	DIM "D"
JC36SI	40.00"	1/4" (.25)	38.50"	14.50"	11"
JC42SI	46.00"	1/4" (.25)	44.50	17.50"	13.50"

Simplex Metal Covers



P/N.	"A" DIA.	THICKNESS	"B" B.C.D.	DIM "C"	DIM "D"	DIM "E"	DIM "F"	DIM "G"	DIM "H"
JC48S	54"	1/4" (.25)	51"	22"	20"	20"	N/A	4 1/2"	5 1/2"
JC48SI	54"	1/4" (.25)	51"	22"	20"	20"	17 1/2"	4 1/2"	5 1/2"
JC60S	66"	3/8" (.375)	63"	28"	26"	25 1/2"	N/A	5"	8"
JC60SI	66"	3/8" (.375)	63"	28"	26"	25 1/2"	20"	5"	8"