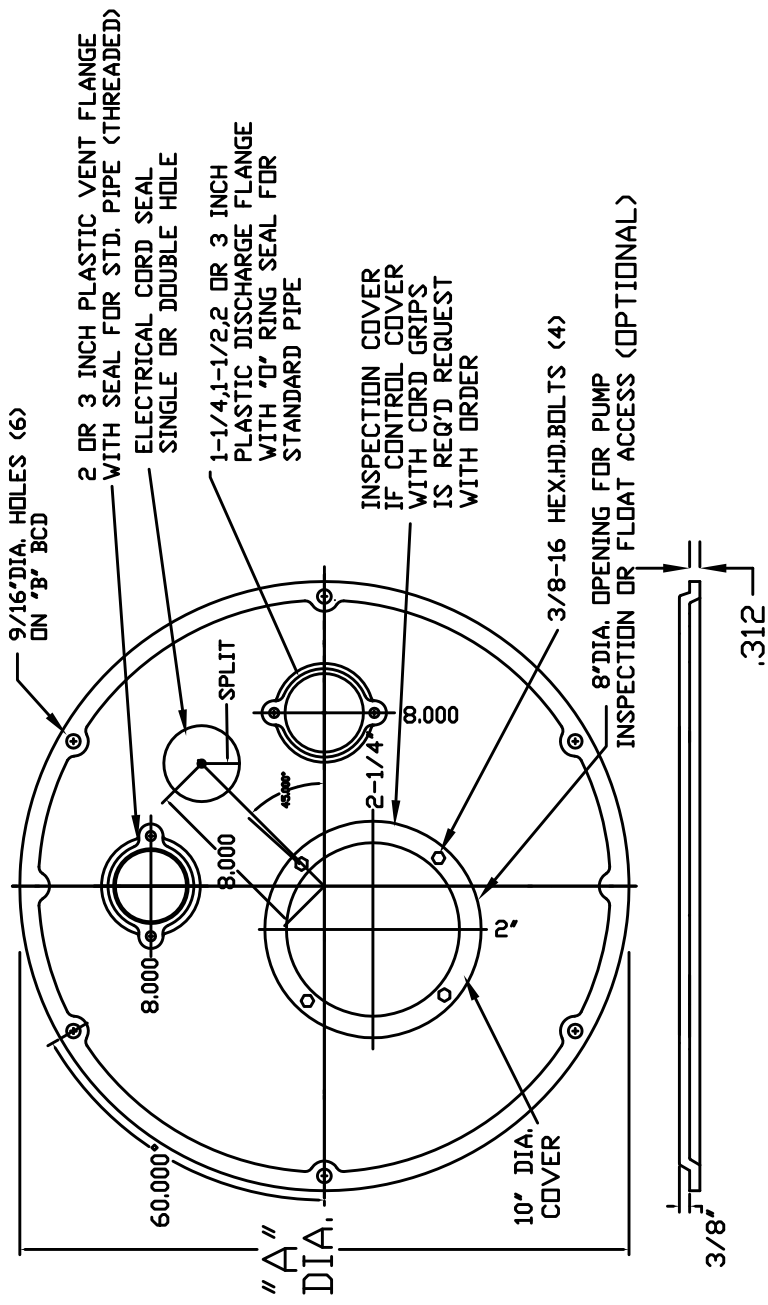


# Basic Fiberglass Covers

BASIC FIBERGLASS COVERS CAN BE PROVIDED WITH ANY DISCHARGE, VENT, CORD GROMMET OR INSPECTION COVER IN ANY QUANTITY OR LOCATION TO MEET YOUR REQUIREMENTS (EXAMPLE SHOWN)



Add to the part number IB - Blank Inspection Cover  
CC - Control Cover

Part Number	"A" Diameter	"B" BCD
JC24F-S	28.00"	26 1/2"
JC24F-D	28.00"	26 1/2"
JC30F-S	34.00"	32 1/2"
JC30F-D	34.00"	32 1/2"
JC36F-S	40.00"	38 1/2"
JC36F-D	40.00"	38 1/2"
JC48F-S	54.00"	51"
JC48F-D	54.00"	51"